

E (PG)

Electric Torque Multiplier



Applications

- **alkitronic® E**, 2-speed torque multiplier for torques from 370 Nm to 10,000 Nm (270 ft.lbs- 7,375 ft.lbs).
- The indestructible workaday torque tool is used to loosen or tighten heavy-duty bolted connections with high **on-the-job safety** and **short assembly times**.
- **Permanently higher joint quality**, compared to ratchet torque tools or tools with impact mechanism, by continuous rotation of the square drive.
- Efficient operation with short fastening cycles: Fast gear for run down and power gear for highest torques and precision.

Advantages

- **Ease of operation**: Fast switching direction of rotation as well as speed-changes. **Wide torque range**, choice from seven torque values pro gear.
- **Operator convenience and health-consideration**: Lightweight ergonomically designed tool. The 360 degree rotating handle ensures convenient working. None of the reaction forces are transferred to the operator.
- Smart processor-controlled, switch-off electronics for consistently **precise reproduction of the pre-selected torque**.

alkitronic® Specials

- **Break-proof, impact-proof and resistant to corrosion**: Robust Motor housing made of special polymer.
- **Proven modular high-performance gears**, produced in a chip-free high-precision process.

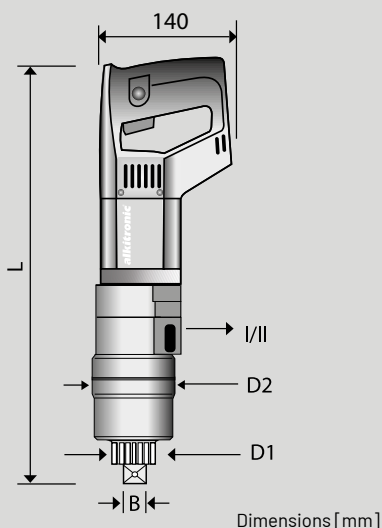


Technical Data: Models **alkitronic® E**

Type		PG 2 / 80	PG 2 / 150	PG 2 / 250	PG 2 / 350	PG 2 / 600	PG 2 / 800	PG 2 / 1000
Torque range (approx.) gear 2 *	Nm	370 - 580	540 - 915	600 - 1100	650 - 1230	800 - 2330	900 - 2960	960 - 3580
Torque range (approx.) gear 1 *	Nm	480 - 890	735 - 1500	1000 - 2500	1180 - 3500	2000 - 6000	2370 - 8000	2900 - 10000
Torque range (approx.) gear 2 *	ft.lbs	270 - 425	400 - 675	440 - 810	480 - 910	590 - 1720	665 - 2185	710 - 2640
Torque range (approx.) gear 1 *	ft.lbs	355 - 655	540 - 1105	735 - 1845	870 - 2580	1475 - 4425	1750 - 5900	2140 - 7375
Square drive	B	3/4 "	3/4 "	1 "	1 1/2 "	1 1/2 "	1 1/2 "	1 1/2 "
Diameter (approx.)	D ₁	mm	41	41	54	72	72	91
Diameter (approx.)	D ₂	mm	88	88	88	98	109	133
Length (approx.)	L	mm	480	480	530	550	560	590
Weight without DMA (approx.)**	kg		6,5	6,5	8	9,5	12	14,5
Idle speed gear 2	r/min		46	20	9	6	4	3,4
Idle speed gear 1	r/min		15	7	3	1,8	1,1	0,9

*) When loosening bolts, a higher torque (up to 20 %) may be necessary (release torque). We will be pleased to help you with your choice. **) Torque reaction arm

Dimensions



Technical informations



Electrical data: Mains supply 230V/50Hz.
Repeat shut-off accuracy $\pm 4\%$ for the same bolting application.
Housing: Protection category II, protection class IP 20.

alkitronic®
HOME OF TORQUE POWER

alkitronic® products
Made in Germany by

alki TECHNIK GmbH
Development, Production and
Distribution of Bolting Systems

Unterlettenweg 4
85051 Ingolstadt
Germany

fon +49 841 97499-0
fax +49 841 97499-90

info@alkitronic.com
www.alkitronic.com