



**EB-S**

Battery driven  
torque multiplier

# The new EB – Extreme Flexibility

## Applications

- **alkitronic® EB:** Battery-driven torque multiplier from 110 Nm to 6,000 Nm / 90 ft.lbs to 4,425 ft.lbs.
- **Extremely mobile and always ready for use:** Innovative product design for comfortable working - independent of external power supply.

## Advantages

- **High quality materials:** Robust aluminium profile housing for compact and safe mounting of electric motor and primary gear unit. Excellent heat dissipation over large surfaces and airflow cooling system.
- **Maximum flexibility:** Thanks to the application-specific, modular software packages e.g.:
  - bolting according to the torque/rotation angle method,
  - can also be retrofitted later if the bolting application changes.
  - *alkitronic® Smart Service* - Documentation of the bolted joints.
- **Ergonomic design:** Ultra grippy housing for your safety and a secure bolting procedure.
- **OLED-display:** Anti-glare and high contrast - for perfect reading under all weather conditions.
- **High quality bolting:** The brushless synchronous motor with excellent efficiency and the smart processor-controlled automatic shutdown ensures amazing increased productivity and **low running costs**.
- **Low noise emissions, no noise protection necessary.**
- **Unique 1-finger trigger:** Unbeatable efficiency through fast, simple change of direction of rotation.
- **Repeat shut-off accuracy  $\pm 3\%$**  for the same bolting application.

## alkitronic® specials

- **Simple navigation:** Intuitive interface drastically reduces operating errors and misadjustments.
- **Health and safety first:** Due to a new technology patented by *alkitronic®* the reaction torques are decoupled. This leads to an extreme reduction of radial forces on the wrist to 1 Nm and thus actively contributes to the occupational health and safety of the worker.
- **Outstanding battery concept:** Powerful and durable battery for precise, consistent bolting quality - worldwide shipping.



### Bolting programs

The software suite 1 is pre-installed in the basic equipment. For user-specific applications, the manufacturer can activate optional modular software:

**Software suite 1:** Torque controlled bolting (standard)

**Software suite 2:** Torque/angle procedure for high-quality bolting connections

**Software suite 2**

**Premium:** Torque/angle procedure with adjustable min./max. torque limitation

**Software suite 3:** Bolting with preset rotations and torque limit

**Software suite 5:** Bluetooth transfer via *alkitronic® APP*.

**Documentation of the bolted joints** (target-actual status, recording for each joint)

### Specifications

All *alkitronic® EB* torque multipliers with CE-certification.

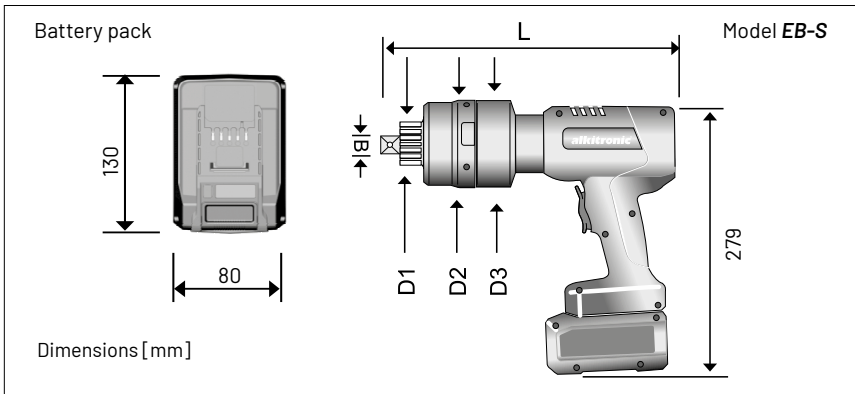
**Caution!** The Li-Ion battery is preset to 4 Ah (72 Wh) so that it can be shipped or transported in accordance with special regulation 188.

### Operating panel





## Technical Data



### Models EB-S

Type		EB-S 80	EB-S 150	EB-S 180	EB-S 250	EB-S 350	EB-S 480	EB-S 600
Torque ranges (approx.)*	Nm	110-850	150-1400	250-1800	350-2500	480-3500	650-4800	800-6000
	ft.lbs	90-625	110-1035	190-1330	260-1845	360-2580	480-3540	590-4425
Square drive	B	3/4"	3/4"	1"	1"	1"	1 1/2"	1 1/2"
Diameter (approx.)	D <sub>1</sub>	mm	41	41	54	54	54	72
Diameter (approx.)	D <sub>2</sub>	mm	88	88	88	88	88	109
Diameter (approx.)	D <sub>3</sub>	mm	88	88	88	88	88	88
Length (approx.)	L	mm	330	330	375	382	400	407
Weight without DMA, Battery (appr.)	kg	5.3	5.3	6.7	7.3	7.3	9.3	10.5

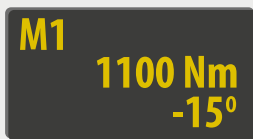
\*) When loosening bolts, a higher torque (up to 50 %) may be necessary (release torque). We will be pleased to help you with your choice.



### Display views

Software suite 1 (mode 1) and software suite 2 (mode 2)

Mode 1 / M1 (Standard)



Bolting via torque.  
Automatic release according to pre-set angle degrees.

Mode 2 / M2 (Option)

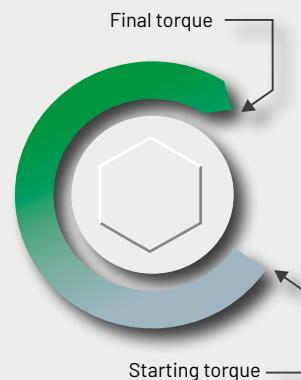


Torque/angle procedure for high-quality bolting connections.  
Display example of pre-torque, angle and release angle.

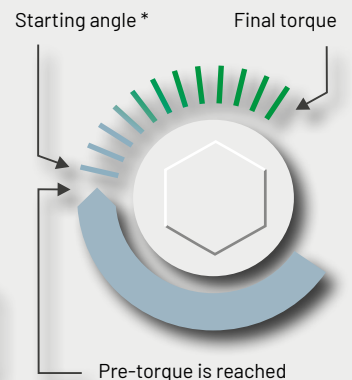
During the bolting process, the current torque value is shown in the display. Reaching the set value is indicated by an "OK". If the selected value cannot be achieved, the bolting operation is evaluated as "nOK".

### Scheme bolting programs Mode 1 und Mode 2

Torque controlled bolting mode 1



Torque/angle procedure mode 2



\* Information on rotational angle setting for torque/angle method.

- The angle of rotation is specified by the design for the bolting connection.
- The angle of rotation can be determined individually and easily with alkitronic® HSD. We will gladly provide you with detailed product information.

## YOUR PLUS FOR MORE PERFORMANCE

### Increased quality

Premium production  
Highest quality materials  
Long product life cycles  
Experience in bolting technology since 1984  
Made in Germany – international patents

### Increased precision

Precise, customer-specific torques  
High repeatability  
Reliability in permanent operation  
Documentation of tightening results  
Automatic shut-off

### Increased productivity

Quicker tightening without reworking  
No environmentally caused failures (IP54, ATEX)  
High work safety  
Easy to use: clear, simple instructions  
Low maintenance and cost efficient

### Better service

Technical advice on site  
Training offers  
Manufacturer's calibration and certification  
Lifecycle support  
Spare part and repair service

alki TECHNIK GmbH

Development, Production and Distribution of Bolting Systems

Unterlettenweg 4 – 85051 Ingolstadt/Germany – fon +49 841 97499-0 – fax +49 841 97499-90  
info@alkitronic.com – www.alkitronic.com

### EXTRACT FROM OUR PRODUCT RANGE



**alkitronic XE-SERIES**

THE ELECTRICS



**alkitronic XP-SERIES**

THE PNEUMATICS



**alkitronic XH-SERIES**

THE HYDRAULICS



**alkitronic XM-SERIES**

THE MANUALS